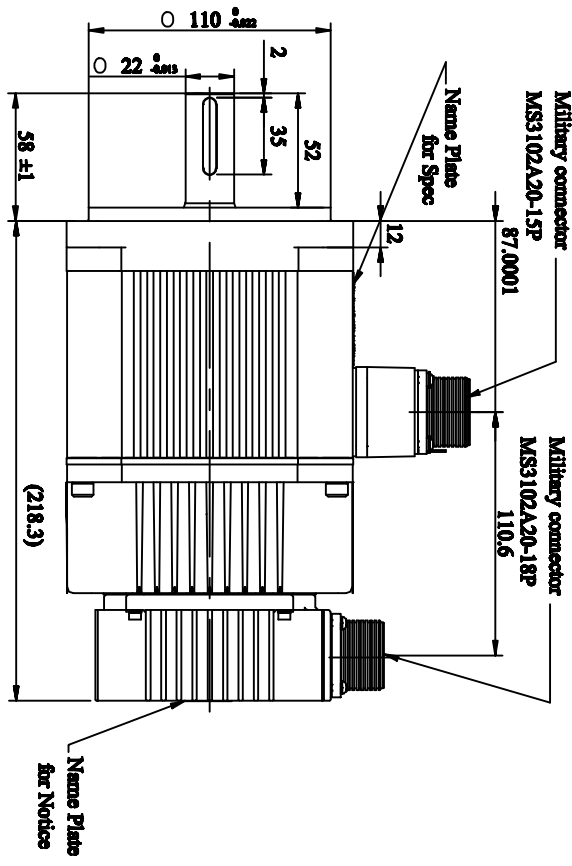
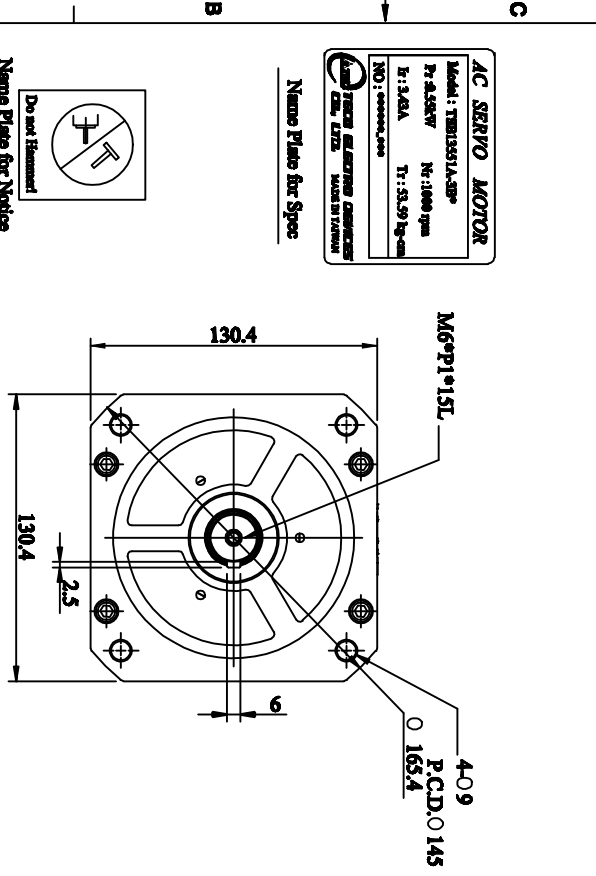


Model: TSB13551A-3B*

No.	Item	Symbol	Unit	Specification	No.	Item	Symbol	Unit	Specification
1	Drive	-	-	Retangular Wave	13	Rotor Inertia	J-M	kg-cm ²	6.42 ±10%
2	Cooling Method	-	-	Totally Enclosed	14	Rated Power Rate	Q-R	Kw/s	43
3	Exciting Method	-	-	Permanent Magnet	15	Resistance	Ra	Ω	3.58 ±10%/2 φ
4	Resolution	-	-	NOTFE ₂	16	Inductance	L	mH	18.33 ±10%/2 φ
5	Rated Output	P-R	W	0.55KW	17	Mech Time Constant	Tm	ms	1.19 ±10%
6	Rated Torque	T-R	N-m	5.252	18	Elect. Time Constant	Te	ms	5.12 ±10%
7	Max. Torque	T-max	N-m	15.758	19	Insulation Class	-	-	Class B
8	Rated Speed	N-R	rpm	1000	20	Operation Temp.	T	°C	0~40
9	Rated Current	I-R	A	3.43	21	Operation Humd.	RH	%	<90
10	Max. Current	I-max	A	10.3	22	Storage Temp.	T	°C	-20~60°
11	Torque Constant	Kt	N-m/A	1.679 ±10%	23	Storage Humd.	RH	%	<90
12	Back emf (at 1800rpm)	Vemf	Volts	182.8 ±10%/2 φ	24	Weight	W	kgw	9.337

Notes:
 1. Motor to be IP67
 (excluding the shaft opening & connectors)
 2. Encoder TYPE:2500ppr,8192ppr
 17bit ,15bit



STANDARD TOLERANCE	APVD	SCALE	1/3	UNIT	m m	NAME	Servo Motor Outline Drawing
X ±0.5	CHKD	3RD AP				TSB13551A-3B*	
X ±0.2	CHKD						
XX ±0.05	DWN	Signature	Michelle	DATE	05-11-10		
ANGLE ±30°							
MATERIAL							